

## CPVC Pipe & Threaded Fittings

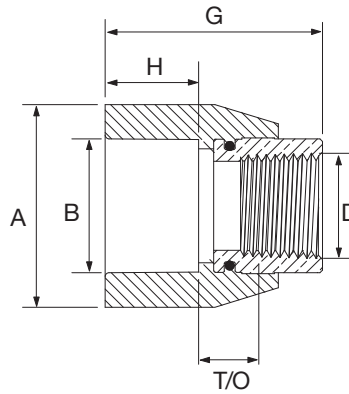
### CPVC Fittings

#### Sprinkler Head Adaptor, Slip x Female Thread, Type W



|                            |   |
|----------------------------|---|
| Sizes                      | DN20 x DN15 & DN25 x DN15 (3/4" x 1/2" & 1" x 1/2") |
| Approvals                  | UL, C-UL Listed & FM, MEA, NSF, & LPCB Approved     |
| Rated Pressure             | 12,1 bar (175 psi)                                  |
| Maximum Temperature Rating | 65°C (150°F).                                       |
| Tech Data Sheet            | <b>TFP1915 and Installation Handbook - IH-1900</b>  |

Manufactured with Lubrizol's BLAZEMASTER® compound ■ Produced from BlazeMaster® thermoplastic compound, RAPID RESPONSE CPVC fittings are designed exclusively for use in wet and dry pipe automatic fire sprinkler systems. ■ Our CPVC is easier to install than traditional steel components, while providing superior heat resistance and strength compared to traditional CPVC and PVC fitting materials.



| CPVC Sprinkler Head Adaptor, Slip x Female Thread, Type W |           |      |            |      |         |         |         |           |              |                   |    |    |     |     |
|---|-----------|------|------------|------|---------|---------|---------|-----------|--------------|-------------------|----|----|-----|-----|
| Part No.  | Size      |      |            |      | A<br>mm | G<br>mm | H<br>mm | T/O<br>mm | Weight<br>kg | Approval Listings |    |    |     |     |
|   | B Nominal |      | D Threaded |      |         |         |         |           |              | LPCB              | FM | UL | MEA | NSF |
|   | DN        | In.  | DN         | In.  |         |         |         |           |              |                   |    |    |     |     |
| 80175W  | 20        | 3/4" | 15         | 1/2" | 41      | 44      | 19      | 12        | 0.086        | ✓                 | ✓  | ✓  | ✓   | ✓   |
| 80176W  | 25        | 1"   | 15         | 1/2" | 40      | 49      | 25      | 12        | 0.082        | ✓                 | ✓  | ✓  | ✓   | ✓   |